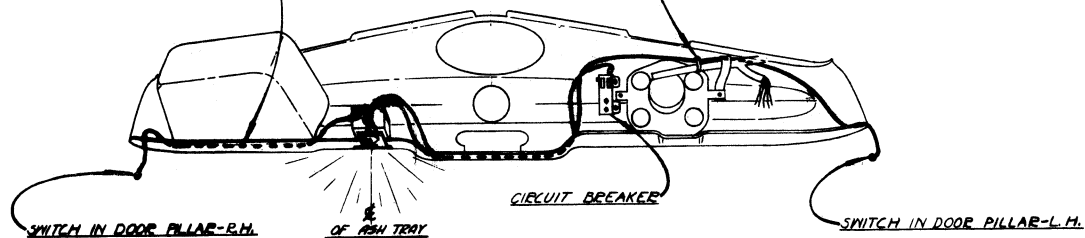
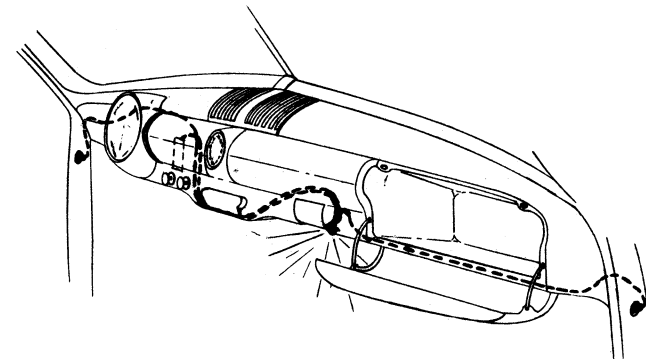


WIRE TO BE THREADED THROUGH BEING CHANNEL UNDER GLOVE BOX

GM-18254 CLIP TO EXISTING WIRING HARNESS

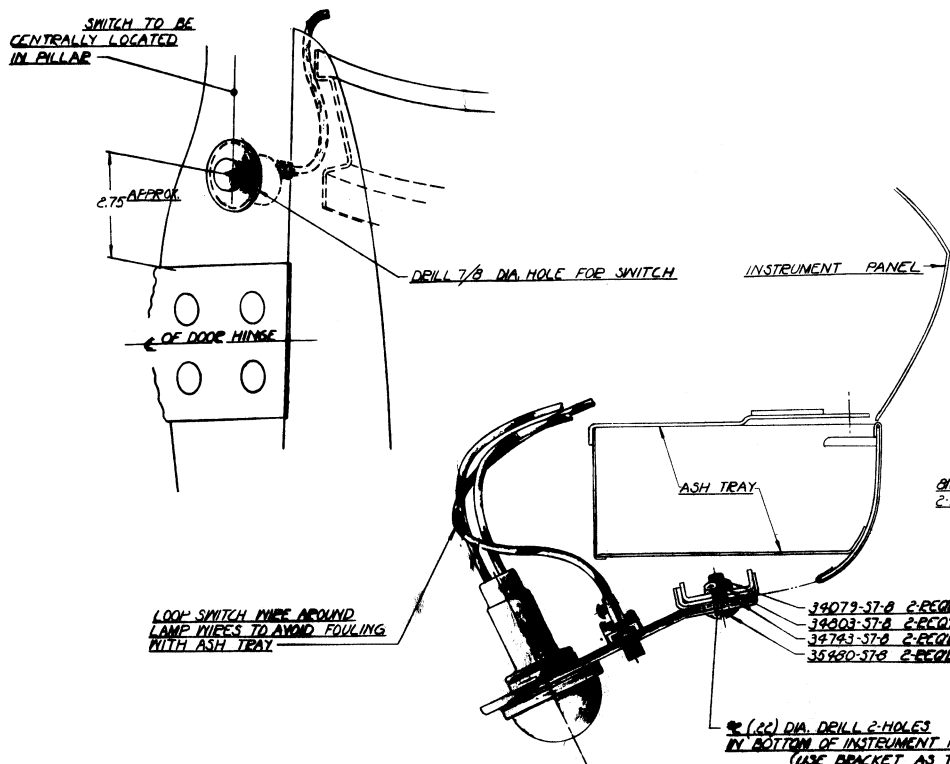


VIEW SHOWING UNDERSIDE OF INSTRUMENT PANEL

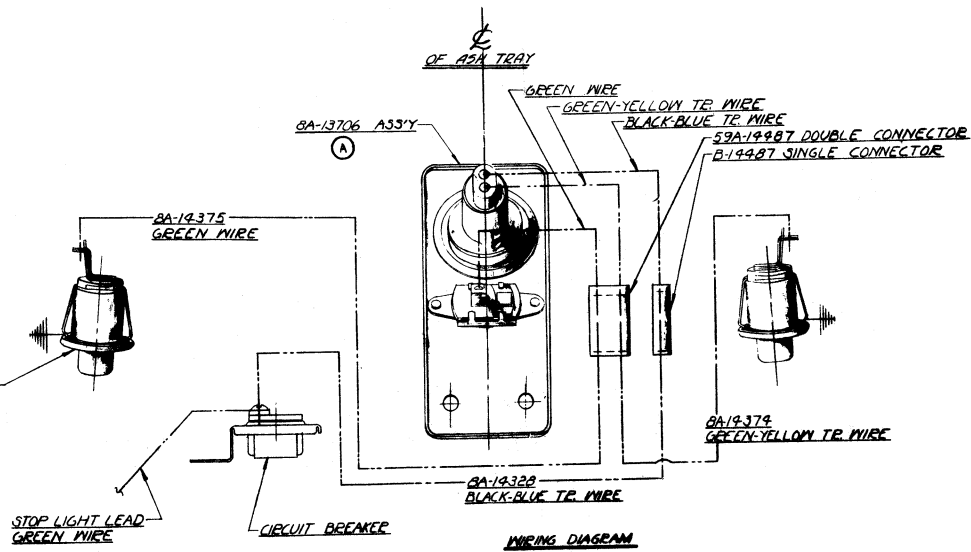


FRONT VIEW OF INSTRUMENT PANEL

SWITCH TO BE CENTRALLY LOCATED IN PILLAR



SIDE VIEW OF LAMP MOUNTED



WIRING DIAGRAM

FORD PASSENGER CAR
INSTALLATION-MAP 6
COURTESY LAMP

SK-8A-18295